
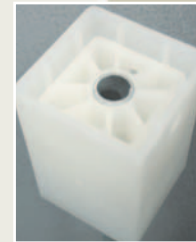


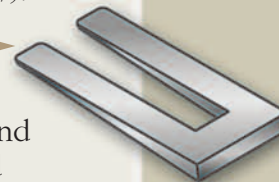
A Tested Post and Block Mounting System, Approved by Industry Professionals that Works To Your Advantage with *Any* Bracketed Railing System!

FEATURES:

- ◆ Two Models To Choose From
Atlas Quik-Mount 3642 (tested for 36" height)
Atlas Quik-Mount 3642SQHD (tested for 36" & 42" height)
- ◆ **Independently Tested** to over 500 pounds (2-1/2 times design load).
- ◆ **Meets ICC-ES™ AC 174** structural performance requirements of national building codes (March 1, 2007).
- ◆ **Leveling Shims** provided for deck or concrete installations. 
- ◆ **3/8" Thick Base Plate** is welded to a steel tube and hot-dipped galvanized inside and out for increased corrosion resistance.
- ◆ Innovative, labor-saving **Top Block** is securely fastened and can be adjusted 6" in the height.
- ◆ **Complete Installation Instructions** for different applications included with each boxed product.
- ◆ Designed for wood, composite, vinyl or concrete decks.
- ◆ **Optional Leveling Kit** includes: shim plate and 4 leveling bolts
- ◆ **Optional Deck Mount Kit** includes: Surface and bottom plates, 4 leveling bolts, 12" mounting bolts (for 36" or 42" height) washers and nuts.



Optional Sleeve Over for 5" x 5" Post

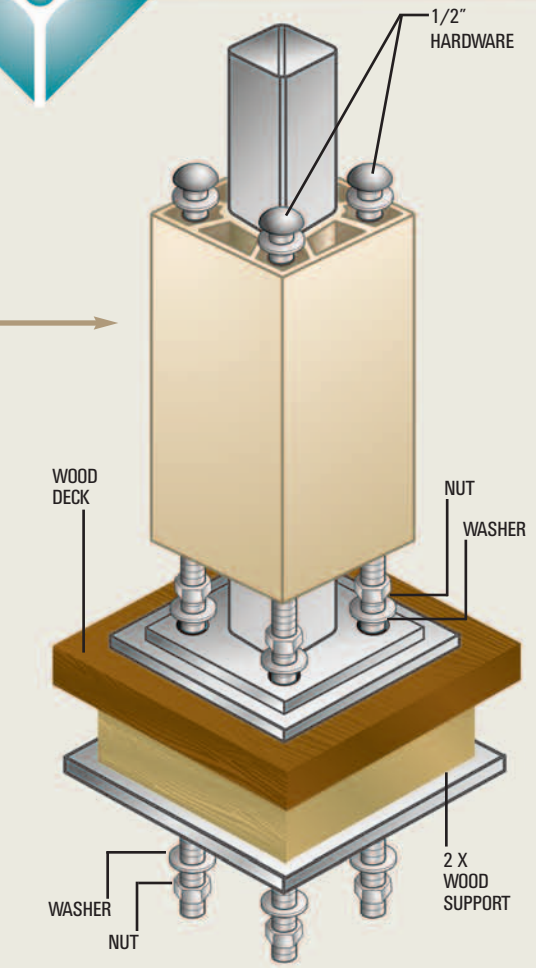
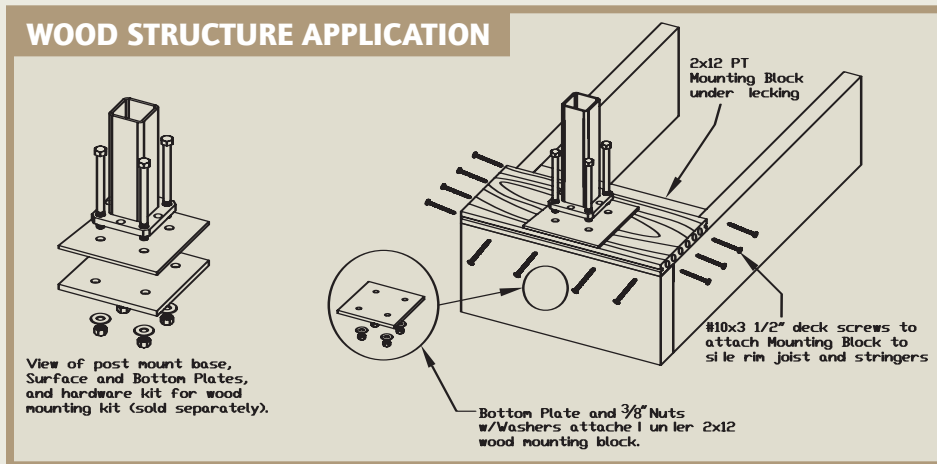
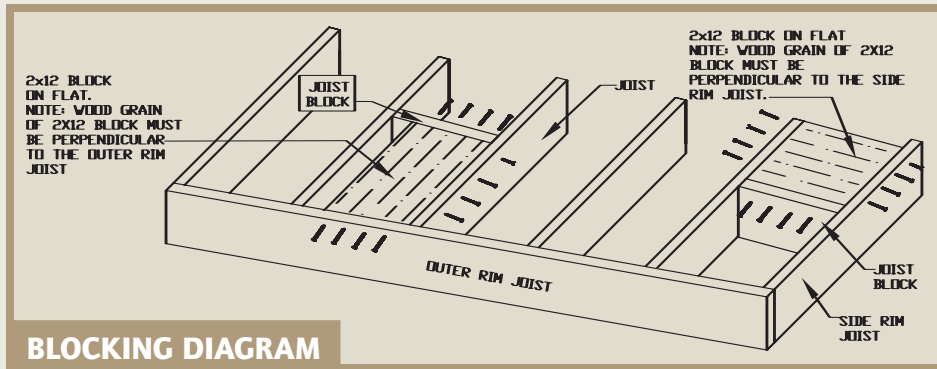


N O W . . .

Take Advantage of the Block Design that Offers a Better, More Reliable and Secure Mounting Platform for Your Fasteners...

OPTION 1

Model 3642SQHD in 42" high deck mount application (42" application must be mounted through bottom block as shown)



OPTION 2

Model 3642 in 36" High Concrete Installation Using Wedge Anchors

It is the responsibility of the installer to meet all code and safety requirements, and to obtain all required building permits. The deck and railing installer should determine and implement appropriate installation techniques for each installation situation. **Quik-Fab or its distributors shall not be held liable for improper or unsafe installations.**

1. Plumb post with level and shim between the deck and post-mount base plate, if necessary.
2. Installers must determine the proper mounting hardware.

